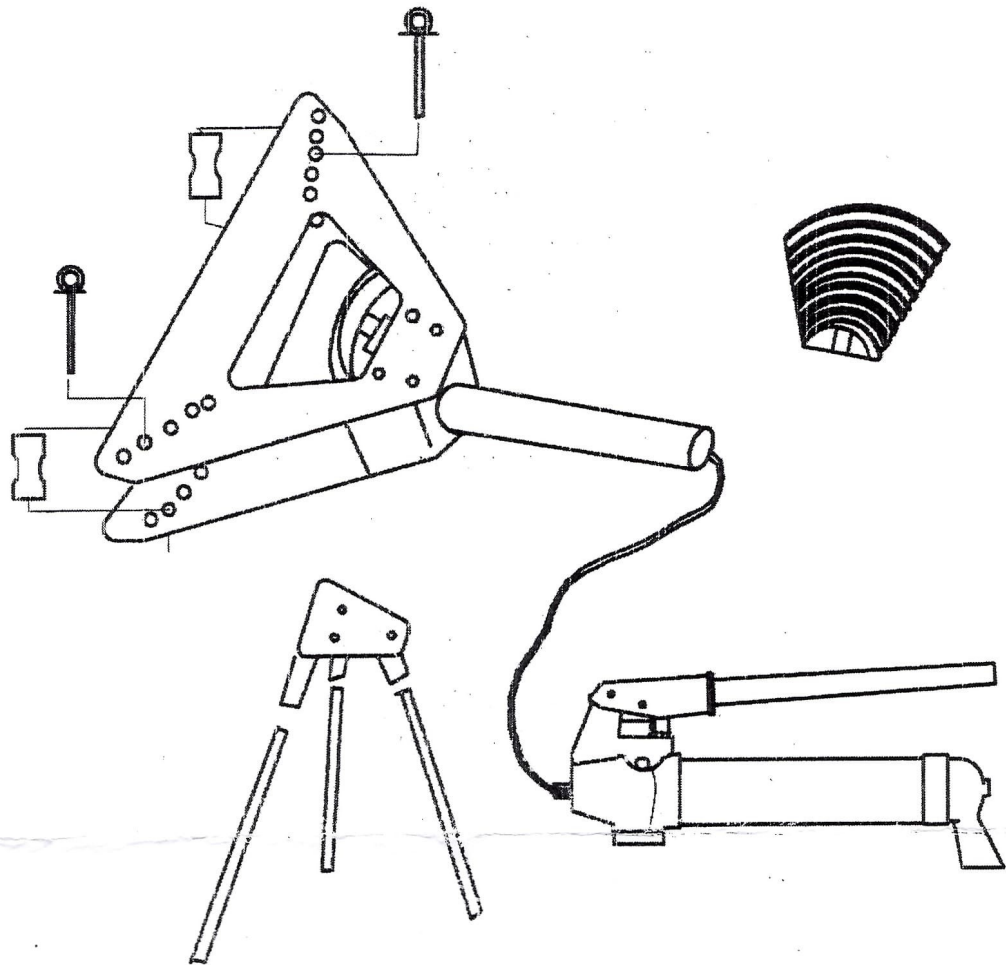


10Ton Hydraulic pipe Bender



Technical Data

| shoes diameter | | Available pipe diameter mm | Available pipe thickness mm | Bending angle α | Working Pressure Mpa | stroke mm |
|----------------|--------|-------------------------------|--------------------------------|----------------------------------|-------------------------|--------------|
| mm | in | | | | | |
| 15 | 1/2" | 21.25 | 2.75 | $\pi/2 \angle \alpha \angle \pi$ | 59 | 285 |
| 20 | 3/4" | 26.75 | 2.75 | $\pi/2 \angle \alpha \angle \pi$ | 59 | 285 |
| 25 | 1" | 33.50 | 3.25 | $\pi/2 \angle \alpha \angle \pi$ | 59 | 285 |
| 32 | 1 1/4" | 42.25 | 3.25 | $\pi/2 \angle \alpha \angle \pi$ | 59 | 285 |
| 40 | 1 1/2" | 48 | 3.50 | $\pi/2 \angle \alpha \angle \pi$ | 59 | 285 |
| 50 | 2" | 60 | 3.50 | $\pi/2 \angle \alpha \angle \pi$ | 59 | 285 |
| 65 | 2 1/2" | 75.5 | 3.75 | $\pi/2 \angle \alpha \angle \pi$ | 59 | 285 |
| 80 | 3" | 88.50 | 4 | $\pi/2 \angle \alpha \angle \pi$ | 59 | 285 |